

# EG4



## EG4<sup>®</sup> HYBRID WINDOW UNIT

Technical Specification Sheet

# EG4<sup>®</sup> HYBRID WINDOW UNIT

Built to deliver cooling from a variety of power sources, the EG4 Hybrid Solar Window unit provides efficient, reliable comfort for spaces up to 600 ft<sup>2</sup>. An integrated MPPT allows the unit to run directly off of connected solar power ensuring comfort even during grid down conditions, while a 120V AC input enables the unit to run directly on grid power when solar is insufficient. Designed to prioritize solar and supplement with grid power only when required, the unit delivers reduced utility costs while providing reliable climate control.

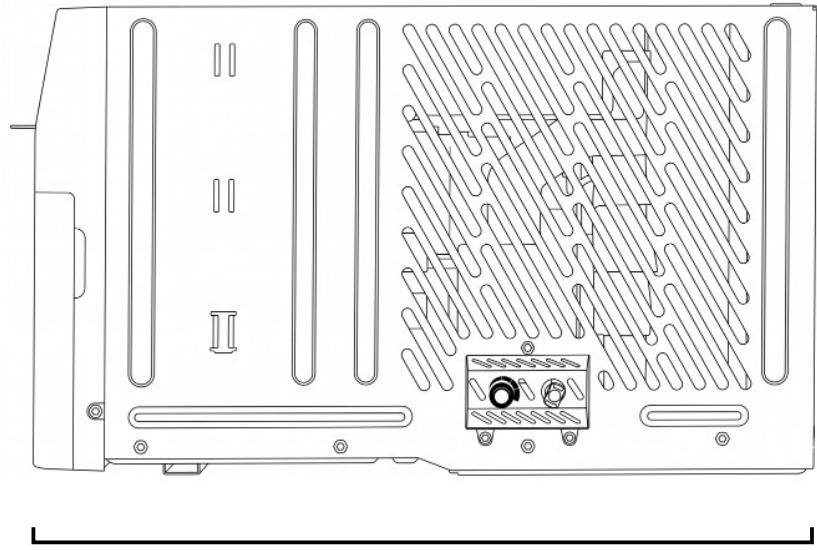
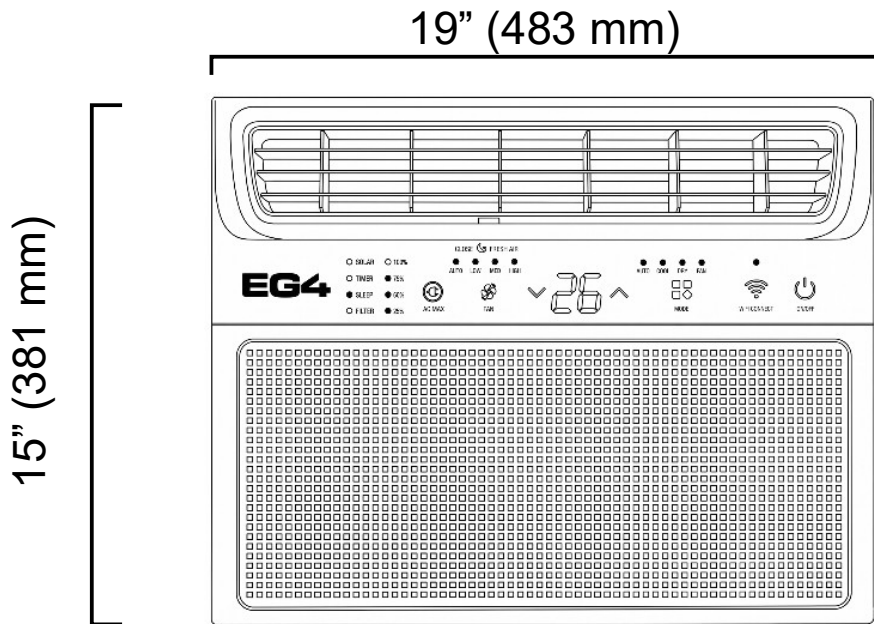
Installed in double-hung windows and utilizing a standard outlet, the unit can be installed in minutes using everyday tools. Managed using the Solar Aircon app or an included remote, the unit boasts programming to prioritize solar input ensuring reliable, cost-effective cooling during everyday operation, while ensuring cooling during grid down situations.



# EG4<sup>®</sup> HYBRID WINDOW UNIT

# EG4<sup>®</sup> HYBRID WINDOW UNIT

Dimensional Drawing



# EG4<sup>®</sup> HYBRID WINDOW UNIT

## Technical Specifications



<b>Applications Supported</b>	High Efficiency Climate Control Single Zone Cooling Solar Only Power
<b>Performance Specifications</b>	
Cooling Capacity	12,000 BTU/h
Operating Range	2,500 – 12,000 BTU/h
AC Input Power	1150W
Recommended Room Size	600 ft <sup>2</sup>
Rated AC current	10.2A
EER	10.4 BTU/h
CEER	14.2
Cooling Ambient Temperature Range (Outdoor)	50 – 131 °F
<b>Power Source Specifications</b>	
AC Input Voltage	120V
Frequency	60Hz
Rated Current	AC: 10.2A
Maximum Input Power	1700W
AC Breaker Size	20A
Recommended Solar Power	1400W
Available MPPTs	1
Solar Input Voltage Range (VMP)	75 – 350 VDC
MPPT Start Up Voltage	100 VDC
Maximum PV DC Input (VOC)	≤380 VDC
PV Current Range (IMP)	3.3 – 13A
Maximum PV Current (ISC)	≤15A



### **Mechanical and Environmental Specifications**

System Refrigerant	R32
Product Dimensions (H x W x D)	15" x 19" x 25"
Product Weight	66 lbs
Operating Noise	52-56 dBA
Air Flow	235 – 294 CFM
System Control	Remote Control Solar Aircon App
Warranty	5 Years

## **CHANGELOG**

<b>Revision</b>	<b>Date</b>	<b>Description of change</b>
Version 1.0	4-15-26	Initial release

# **EG4**

ELECTRONICS

support@eg4electronics.com  
(903) 609-1988  
www.eg4electronics.com