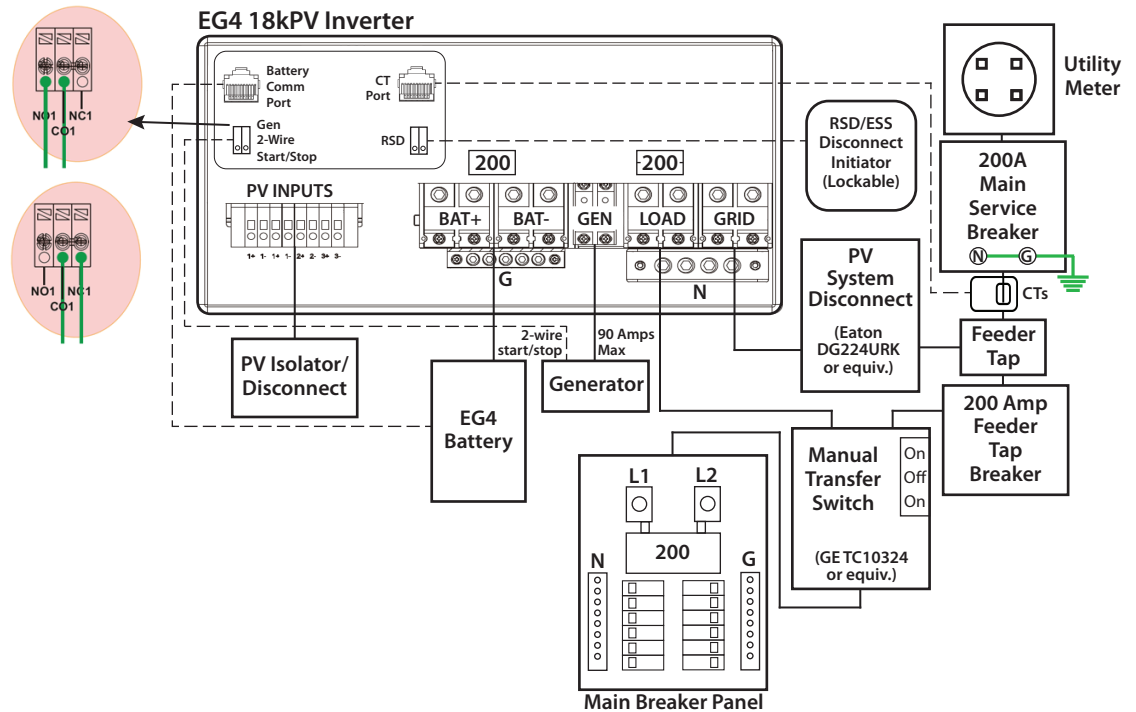


Working with a Generator

When the generator is started, it will supply the inverter with the generator's maximum power. If the generator's power is not adequate to power all loads, the inverter will pull from batteries as supplemental power.

- Generator Requirements:**
1. 120/240VAC, 60Hz
 2. Between 4.0 and 21.6kW

When the generator is started, all loads connected to the LOAD terminals will be supplied by the generator while still charging batteries. The pass-through relay on the generator (GEN) terminals is rated at 90 Amps max on the EG4 18kPV and 50 Amps on the EG4 12kPV and 6000XP inverters. When the generator is ON, please ensure the total load and charge current does not exceed these values. To facilitate remote start, the generator start signal must be connected to the inverter's COM board GEN dry-contact terminals (2-Wire Start/Stop). Both Normally Open (NO1 and CO1) and Normally Closed (NC1 and CO1) dry contacts are available on the EG4 18kPV, 12kPV and 6000XP.



Generator Adjustable Parameters:
 BATT CHARGE CURRENT LIMITATION(Amps):
 GEN RATED POWER (kW):

Battery charge current limitation from Generator. Generator input power limitation is used to limit the battery charge power based on the detected EPS load consumption and Generator input power limitation.

CHARGE STARTS VOLT(V)/ SOC (%):

While using auto-start function of the generator, the battery charge start voltage/SOC can be selected to automatically start generator charging.

CHARGE END VOLT(V) / SOC (%):

While using auto-start function of the generator, the battery charge end voltage/SOC can be selected to automatically end generator charging.