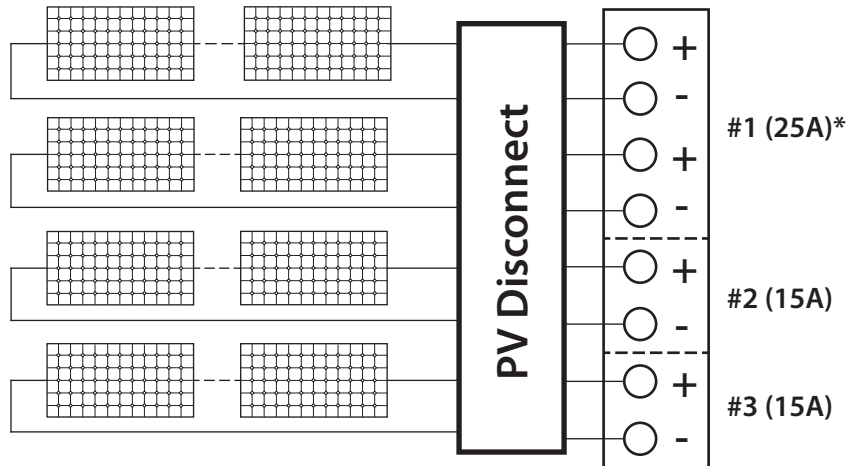
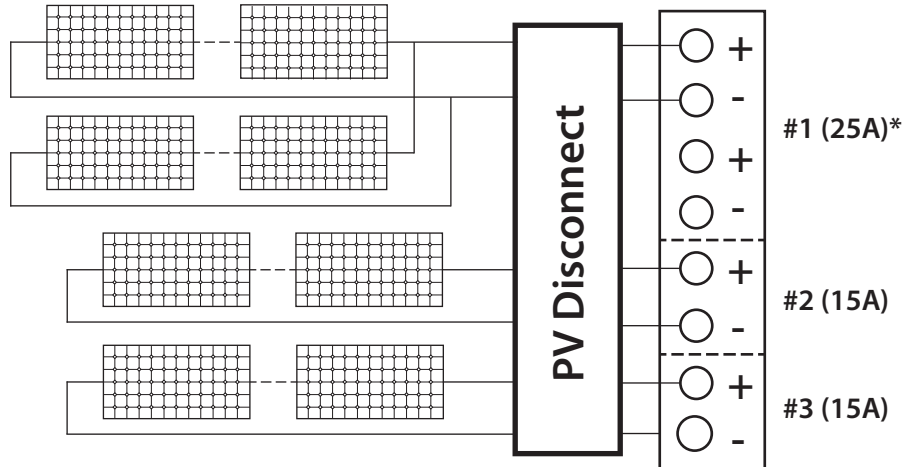


# MPPT STRINGS - 18kPV and 12kPV

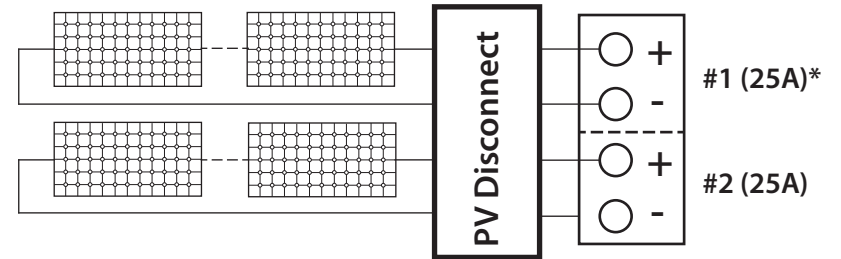
## 18kPV



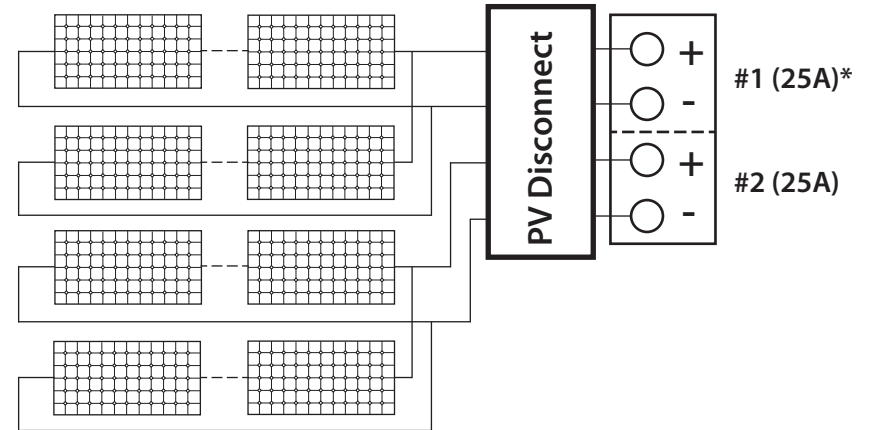
**\*Alternative configuration for strings to MPPT #1 (combining strings <= 12.5A)**



## 12kPV

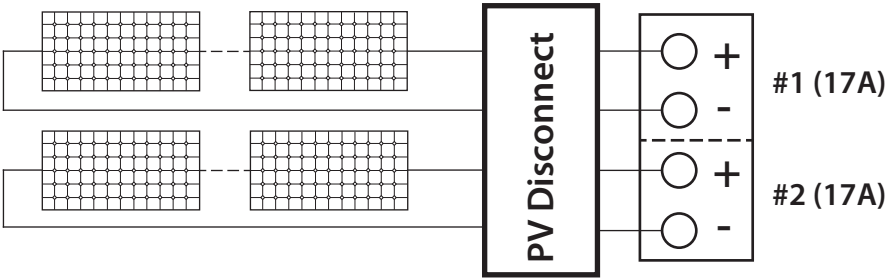


**\*Alternative configuration for strings to MPPT #1 (combining strings <= 12.5A)**



# MPPT STRINGS - 6000XP

## 6000XP



**\*Alternative configuration  
for strings to MPPT #1  
(combining strings  $\leq 8.5A$ )**

