

# EG4® 18kPV DONGLE

## RECOVERY GUIDE



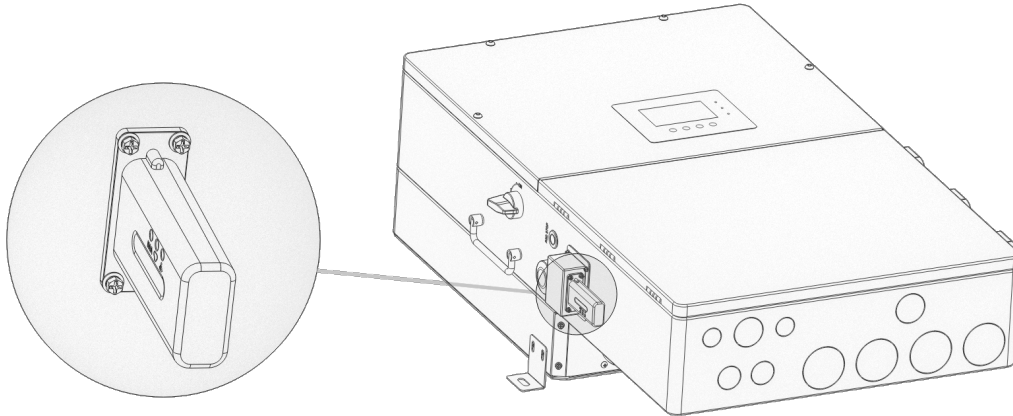
## 1. RECOVERY STEPS

This guide will detail the steps needed to recover Wi-Fi dongles with serial numbers starting with the letters “BA” after being reset to factory settings.

Please read the guide in its entirety before performing the steps listed below.

### Step 1

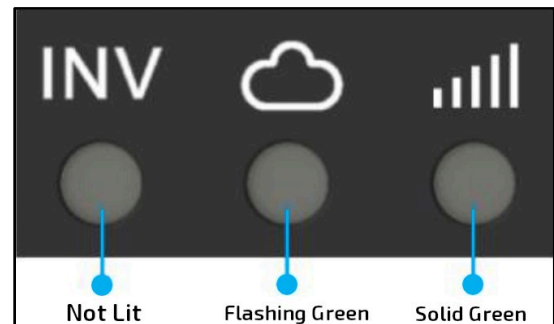
Connect the dongle to the inverter’s Wi-Fi dongle port as shown below. The EG4® 18kPV is shown in the example.



### Step 2

After ~30 seconds, the dongle’s LED status will be as such;

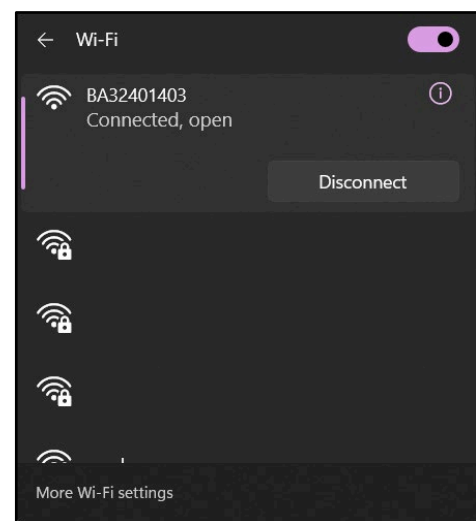
- Inverter LED “Off”
- Network LED “Blinking”
- Module LED “ON”



### Step 3

Connect the mobile device/PC to the dongle’s network. The network name will match the serial number (SN) on the outer shell of the dongle. If unable to locate the network named after the SN, check for a network named, “MXCHIP-xxxxxxx”.

**Write this number down for step 6.**



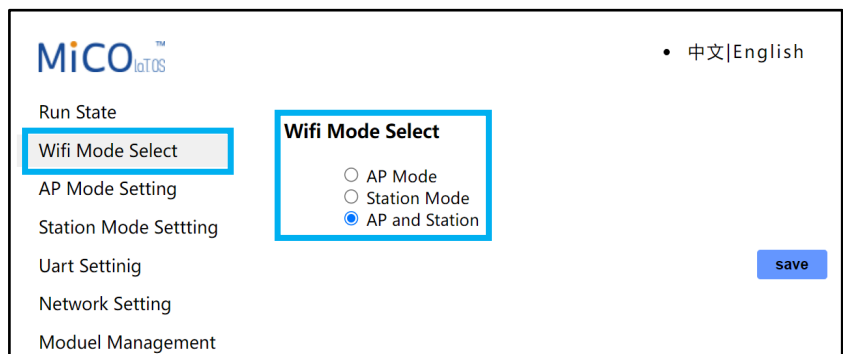
## Step 4

Enter **10.10.10.1** into the browser address bar. Both the username and the password are **admin**. After logging in, select the language on the right side.



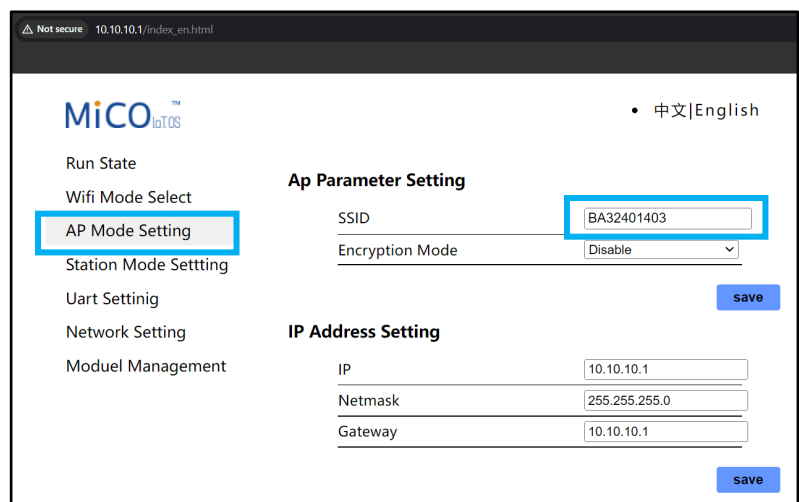
## Step 5

Select the "Wifi Mode Select" option on the left-hand side of the screen. From here, select "AP and Station" and save.



## Step 6:

Next, select the "AP Mode Setting" on the left-hand side of the screen. Enter the dongle's SSID and select "save". The SSID will match the dongle's SN or "MXCHIP-xxxxxx" as determined in step 3 above.



## Step 7

Navigate to the “Network Setting” page. Under “Network Connection 1 Setting”, enter the following data and save.

- Protocol: TCP Client
- Remote Port: 4346
- Server Address (IP or domain) 3.101.7.137

Under “Network Connection 2 Setting”, enter the following data and save. *See image below.*

- Protocol: TCP Server
- Local Port: 8000

Not secure 10.10.10.1/index\_en.html

MiCO<sup>™</sup> IoTOS

• 中文|English

Run State

Wifi Mode Select

AP Mode Setting

Station Mode Setting

Uart Setting

**Network Setting**

Moduel Management

### Network Connection 1 Setting

Protocol

Remote Port

Server Address(ip or domain)

### Network Connection 2 Setting

Protocol

Local Port

## Step 8

Navigate to the “Station Mode Setting” page. Enter the home Wi-Fi SSID information. Ensure that “Encryption Mode” is set to “Enable”. Enter in the home Wi-Fi password and select “Save”. The user may also select “Scan” to scan for the home Wi-Fi network. *See image to the right.*

Not secure 10.10.10.1/index\_en.html

MiCO<sup>™</sup> IoTOS

• 中文|English

Run State

Wifi Mode Select

AP Mode Setting

**Station Mode Setting**

Uart Setting

Network Setting

Moduel Management

### Station Parameter Setting

SSID

Encryption Mode

Password

### IP Setting

Auto

IP

Netmask

Gateway

Once these steps have been completed, all 3 LEDs on the dongle will be “ON”.