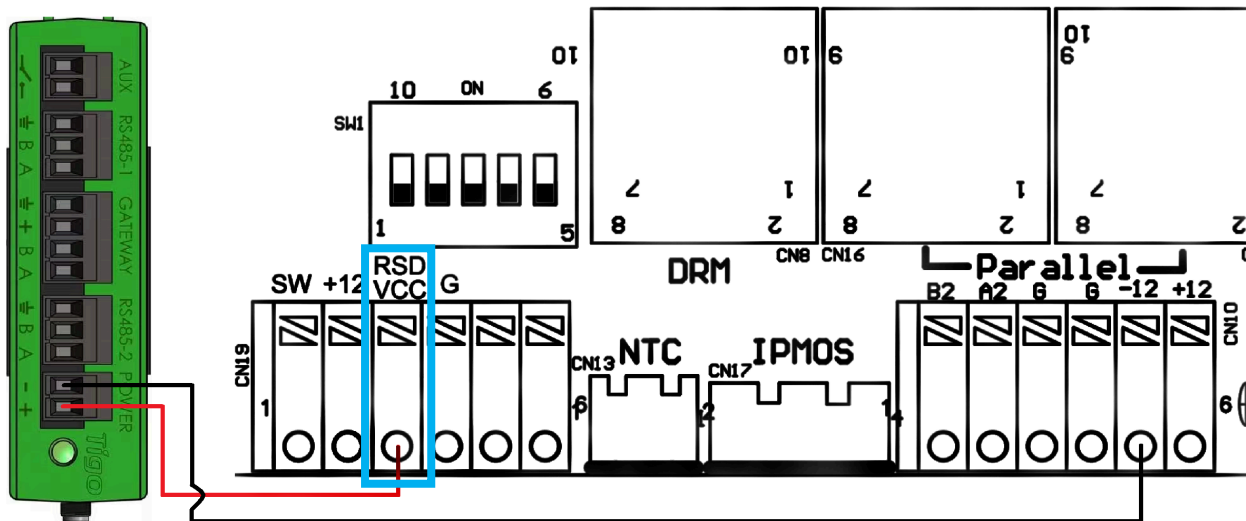
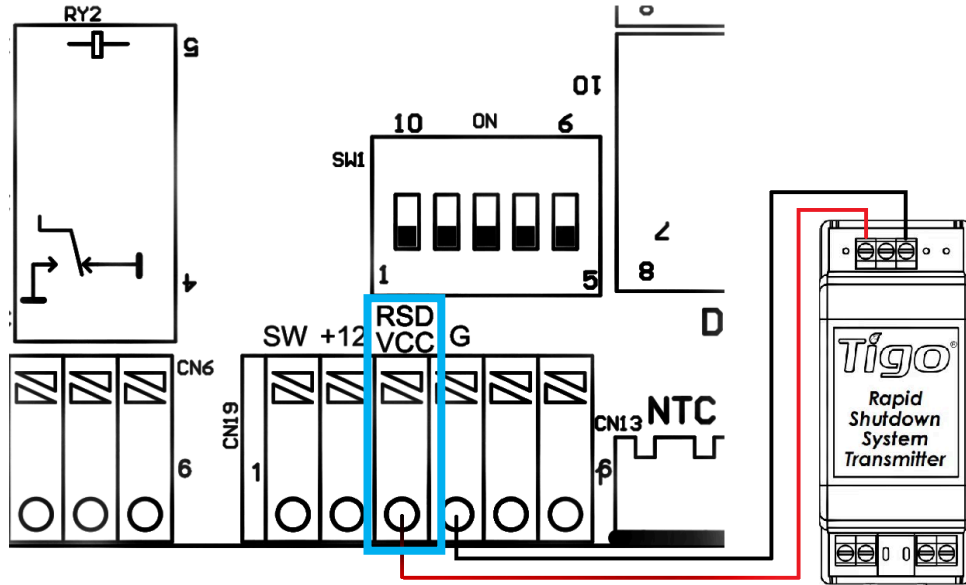


EG4[®] 18kPV RSD TRANSMITTER REMOVAL GUIDE



1. INTRODUCTION

The EG4 18kPV inverter comes pre-installed with an APsmart brand RSD transmitter. Power for this transmitter is supplied by the inverter. The inverter also has a port labeled “RSD VCC” (shown below in blue boxes) that can be used to supply power to other brands of transmitters. Both the RSD VCC port and APsmart have the same power supply circuit. If users decide to switch to a different RSD transmitter, removal of the original APsmart transmitter is required for the new transmitter to receive power.



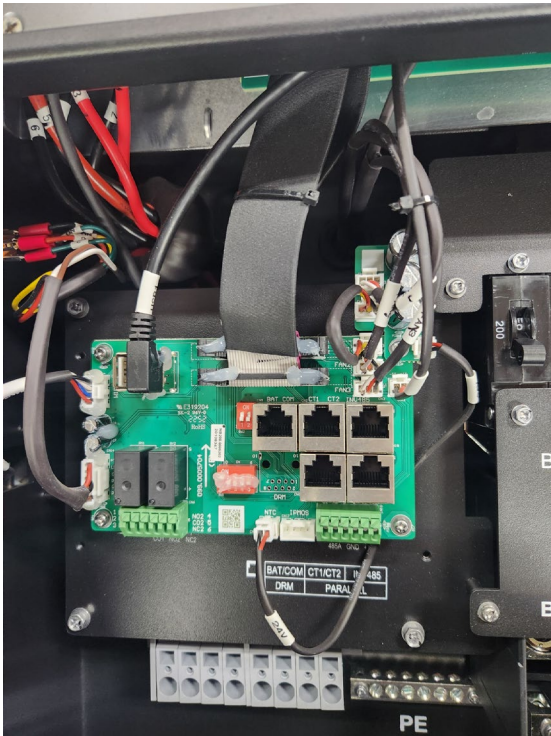
2. REMOVAL OF THE APSMART MODULE



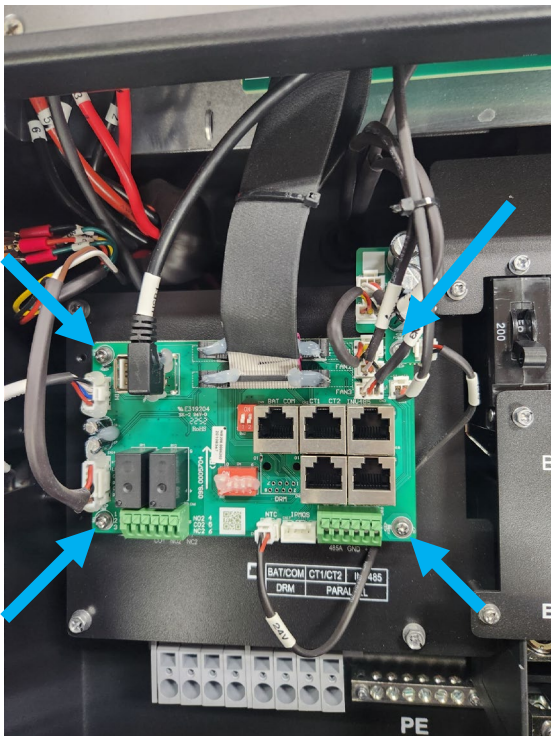
IMPORTANT: Make sure the unit is powered off before proceeding to the first step!

Please follow the steps below for removal:

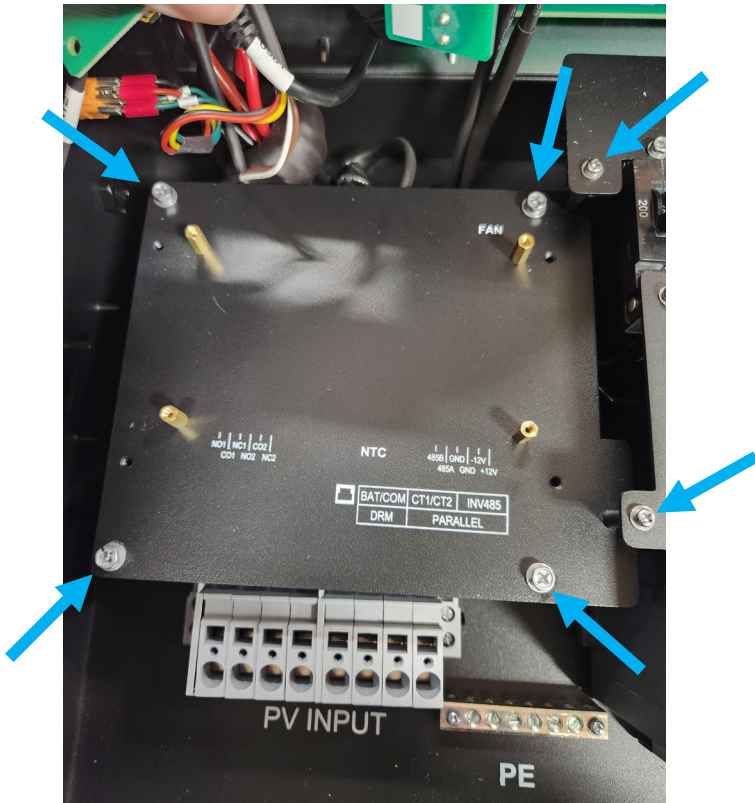
1. Open the cover of the 18kPV and locate the interface board. See image below.



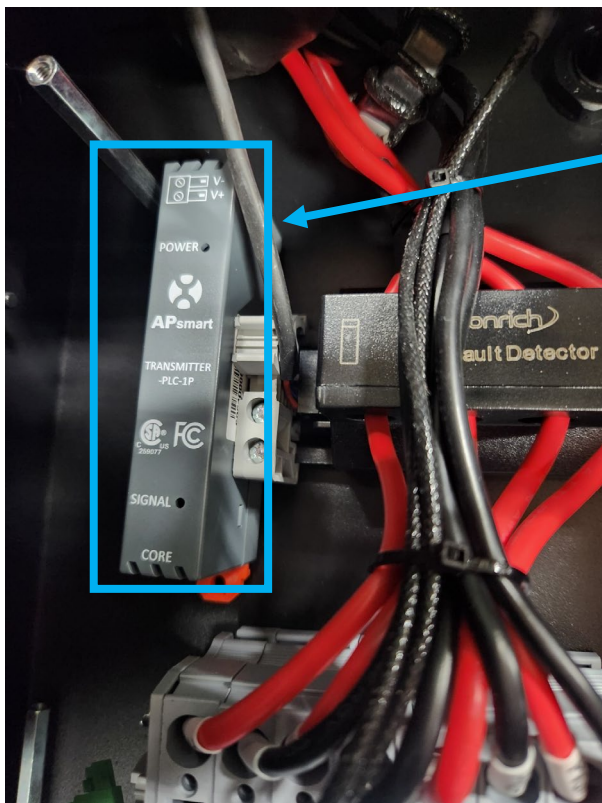
2. Remove the 4 screws shown below, then move the interface board out of the way.



3. With the interface board out of the way, locate the rear panel and remove the 6 screws as shown below:

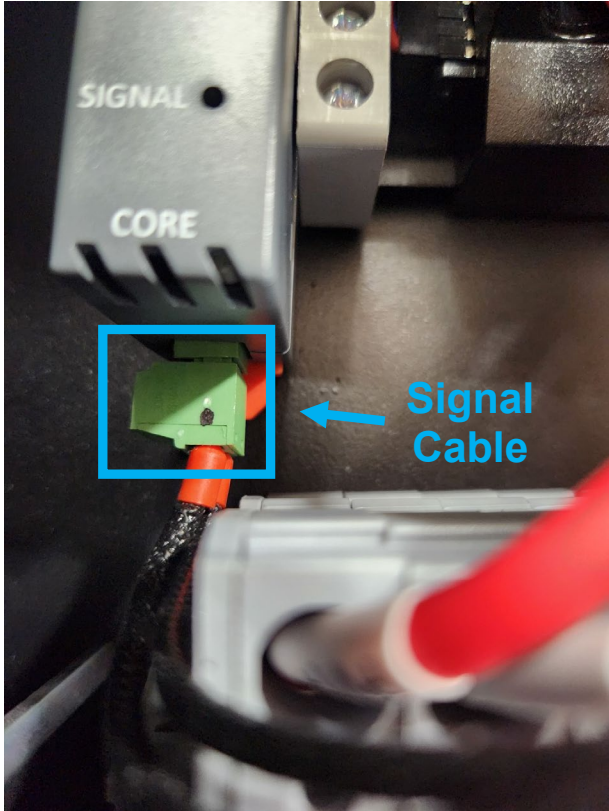


4. With the rear panel out of the way, locate the APsmart RSD transmitter as shown below:



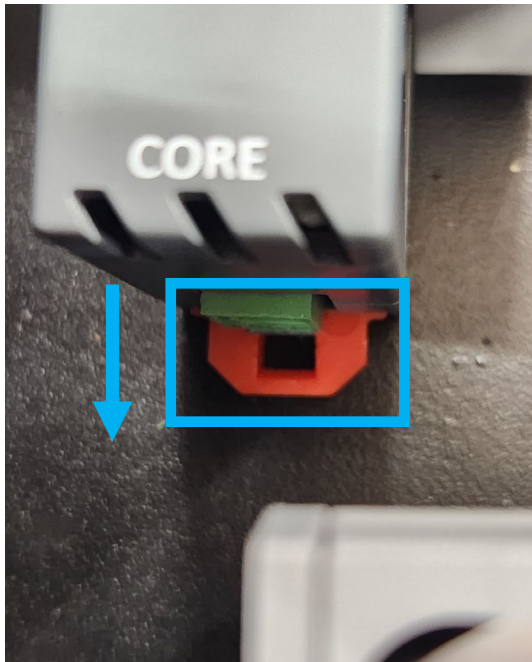
APsmart
RSD
Transmitter
module

5. Unplug the signal cable as shown below.

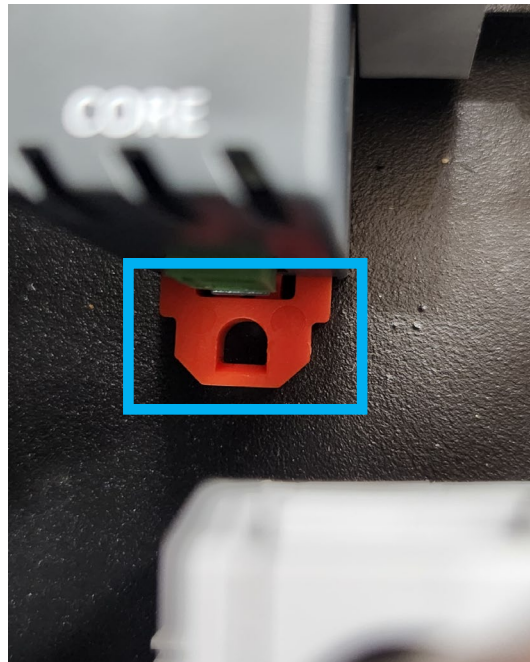


6. Locate the red tab at the bottom of the transmitter. Pull the tab towards the bottom of the inverter in the direction of the arrow shown below. There may be an audible click when performing this step. This will release the transmitter and allow it to be pulled away from its resting position.

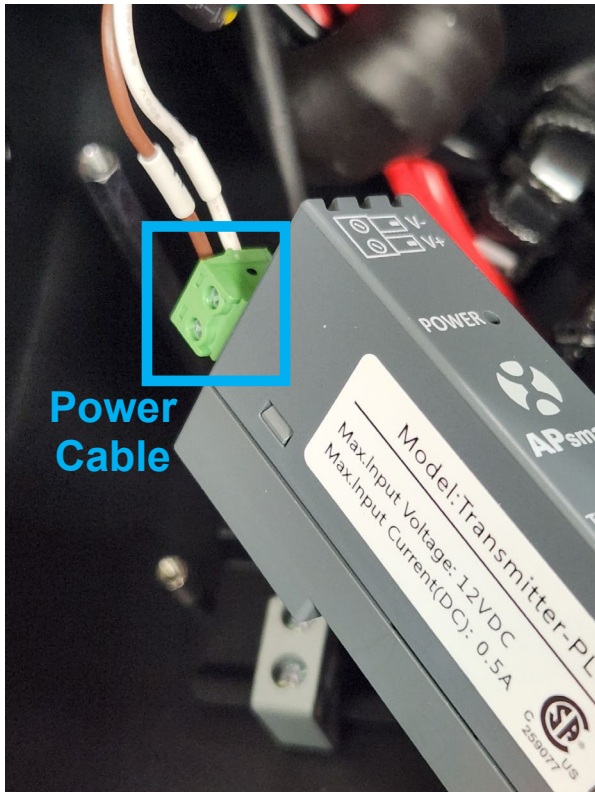
Before



After



7. To complete the removal, locate the power cable on the top of the transmitter as shown below and unplug.



For further information on how to install a 3rd party RSD device, please refer to the Rapid Shutdown Wiring Instruction Guide by scanning the QR code below.

