



# EG4® 9k Mini-Split

## 9000BTU Air Conditioner/Heat Pump

**Plug-n-Cool  
Do-It-Yourself**

**New SEER2 Rating:  
29.5**

**5-Year Limited  
Warranty**

### New Plug-n-Cool Technology

#### Easy Do-It-Yourself Installation

Allows for quick and easy connection via the quick-connect self-closing companion valves without special tools, equipment, or training. No need to pull a vacuum.

### Latest & Greatest Efficiency Rating

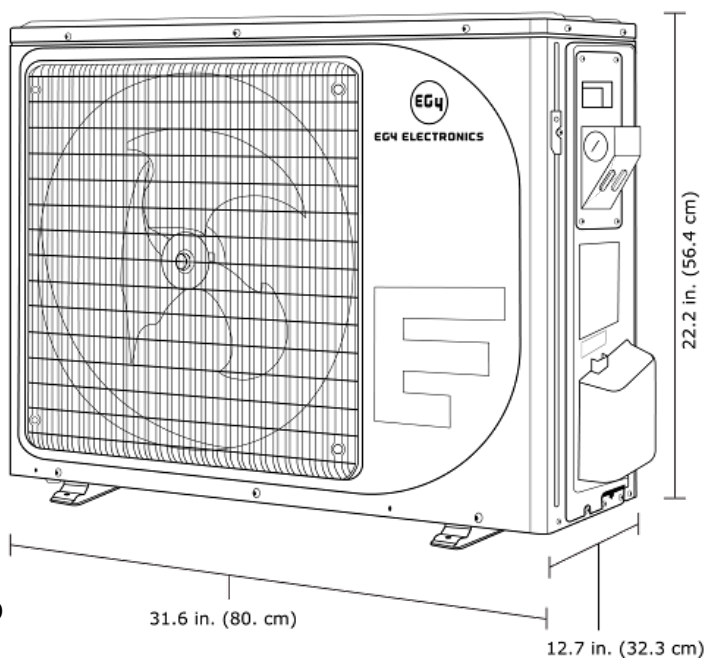
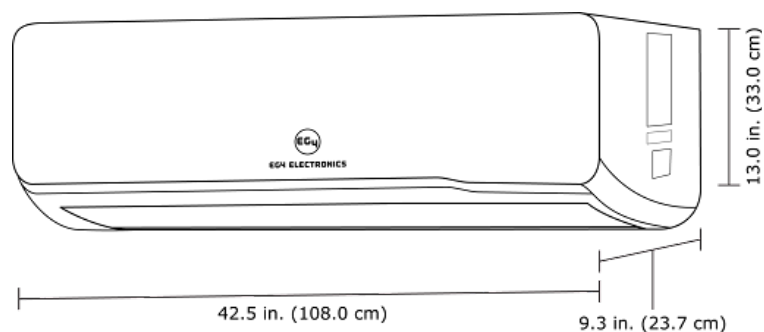
#### New SEER2 Rating: 29.5

Go above and beyond the norms of other efficient mini-split systems while maintaining maximum performance, safety, and reliability.

### Over 9000BTU of Heating & Cooling Capacity

#### Heat & Cool up to 500 Square Feet

Get sophisticated air conditioning in small to medium-sized rooms.





# EG4® 9k Mini-Split

## 9000BTU Air Conditioner/Heat Pump

Electrical Specifications	
Rated Voltage	Single-Phase 115VAC
Rated Current	5.9A
Frequency	60Hz
Minimum Circuit Ampacity	19.05A
Maximum Fuse Size	20A
Maximum Starting Current	4A
Rated Cooling	
Nominal Capacity	9,000 BTU/h
Capacity Range	3,000-10,000 BTU/h
Input Power	190-1000W
Rated Current	5.97A
EER	13.23
SEER2	29.5
Rated Heating	
Nominal Capacity	9,700 BTU/h
Capacity Range	3,000-11,000 BTU/h
Input Power	190-1000W
Rated Current	6.37A
COP	13.38 Btu/W
Heating Seasonal Performance Factor (HSPF)	11.8
HSPF2	10.7
System Data	
Design Pressure [PSI Gauge (PSIG)]	<651
Refrigerant	R410A/45.86 oz.
Refrigerant Pre-charge	16.4 ft.
Additional charge per ft	0.2 oz.
Liquid valve	0.25 in. (6.35mm)
Gas valve	0.5 in. (12.7mm)
Max refrigerant pipe length	49 ft.
Max difference in level	26 ft.



# EG4® 9k Mini-Split

## 9000BTU Air Conditioner/Heat Pump

Compressor Specifications	
Type	2×Rotary
Input Power	190-1000W
Rated Load Amperage (RLA)	3.6A
Indoor Unit Data	
Rated Load Amperage (RLA)	0.48A
Speed (Turbo/5/4/3/2/1block)	850/800/750/700/650/630 r/min
Air Flow (Turbo/5/4/3/2/1block)	410/380/350/320/285/265 CFM
Sound Pressure (Turbo/5/4/3/2/1block)	36/35/34/33/31/30 dB(A)
Moisture Removal	2.1 pt/hr
Indoor Unit Dimensions	
Unit Dimension (W×D×H)	42.51×9.33×12.99 in
Packaging (W×D×H)	44.88×11.81×14.25 in.
Net/Gross weight	33.07/38.58 lbs.
Outdoor Unit Data	
Rated Load Amperage (RLA)	0.42A
Speed (Hi/Med/Lo)	800 r/min
Air Flow (Hi/Med/Lo)	1060 CFM
Sound Pressure (Hi/Med/Lo)	51 dB(A)
Outdoor Unit Dimensions	
Unit Dimension (W×D×H)	31.57×12.72×22.2 in.
Packaging (W×D×H)	35.83×15.94×24.49 in.
Net/Gross weight	70.55/79.37 lbs.
Operation Temperature	
Indoor (cooling/heating)	61-90/32-90 °F
Outdoor (cooling/heating)	32-131/5-86 °F
Accessories	
Control	Remote
Connection Cable	18AWG (4 Stranded)
Installation Copper Kit	16.4 ft.
Warranty	
Limited Warranty	5* year limited warranty

\*See [EG4® Warranty Registration](#) for terms and conditions



Globally Recognized. Industry Respected.